

## AUTOMATIC GAS VALVES Fast Opening / Fast Closing DN125, DN150 – Pmax 360 mbar



Code	Description	Dimension	Pmax
AVD125FO	Gas valve fast opening	DN125	360 mbar
AVD150FO	Gas valve fast opening	DN150	360 mbar
CPI-5	Control position indicator	DN125-DN150	

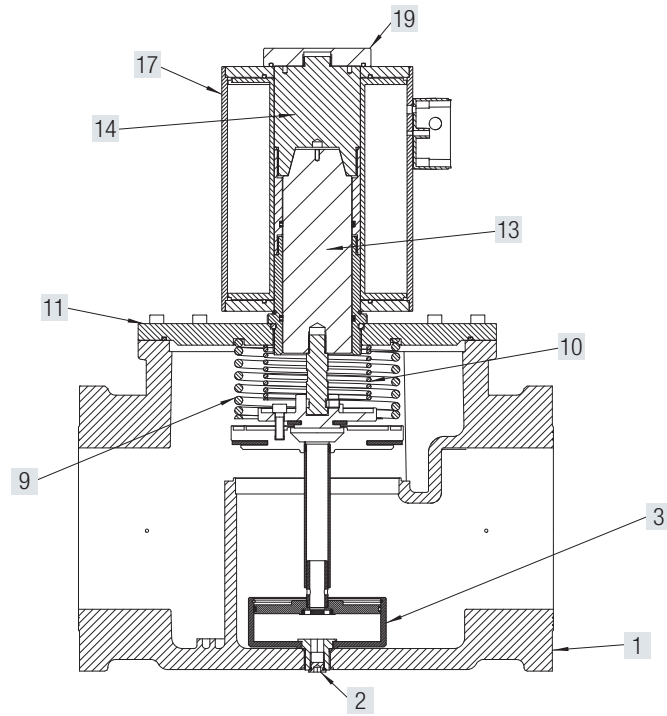
### TECHNICAL FEATURES

<b>Pmax</b>	360 mbar
<b>Inlet connection</b>	Flanged – DN125 – DN150
<b>Outlet</b>	Flanged – DN125 – DN150
<b>Opening time</b>	<1 second
<b>Closing time</b>	<1 second
<b>Max number of operations</b>	2 per minute
<b>Power</b>	230Vac Peak Power 360 W - Maintain Power 90 W Coils to class F copper wire class H
<b>Use</b>	Non – aggressive gases – Family 1 – 2 – 3 and air
<b>Test point</b>	5 connections Screw ¼"
<b>Working Temperature</b>	- 20 °C – 60 °C
<b>Approval</b>	EN161 / PED / EAC
<b>Protection degree</b>	IP65

### Materials:

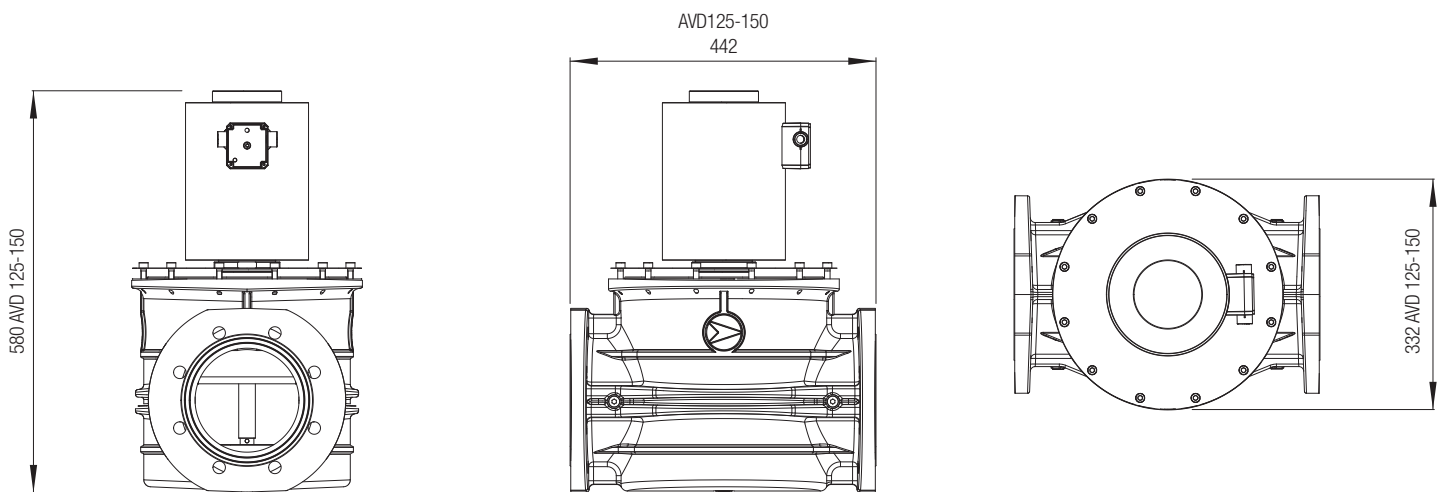
<b>Complete Body</b>	Aluminium EN AC 43100
----------------------	-----------------------

# AUTOMATIC GAS VALVE



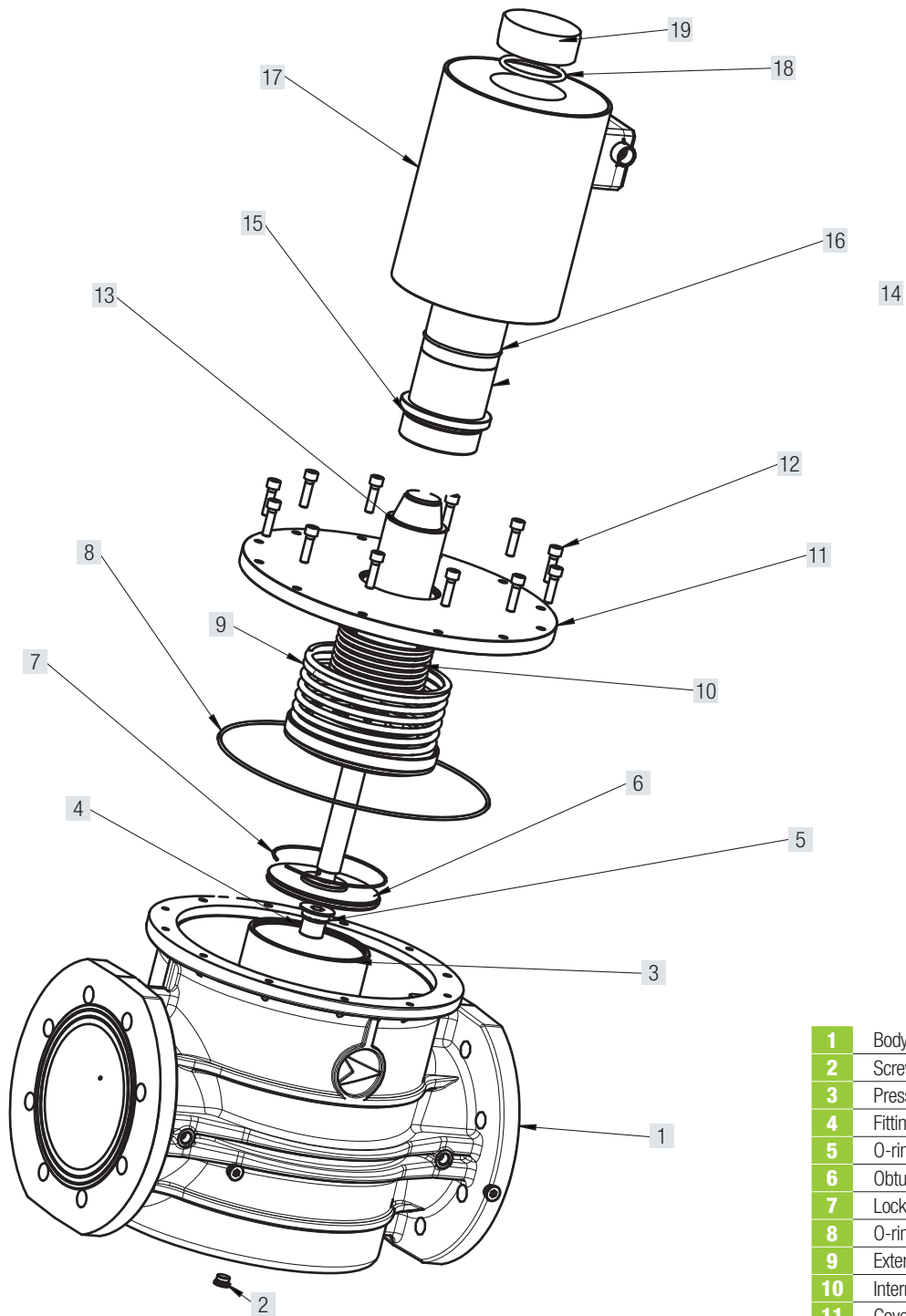
1	Body
2	Screw Plugs
3	Pressure Chamber
4	Fitting
5	O-ring
6	Obturator
7	Locking ring
8	O-ring
9	External Spring
10	Internal Spring

11	Cover
12	Screw M8
13	Plunger
14	Pilot
15	O-ring
16	O-ring
17	Coil
18	O-ring
19	Locking ring



Dimension	DN125	DN150
WEIGHT (kgs)	72	72

## ASSEMBLY OVERVIEW



1	Body
2	Screw Plugs
3	Pressure Chamber
4	Fitting
5	O-ring
6	Obturator
7	Locking ring
8	O-ring
9	External Spring
10	Internal Spring
11	Cover
12	Screw M8
13	Plunger
14	Pilot
15	O-ring
16	O-ring
17	Coil
18	O-ring
19	Locking ring

**FLOW CHART  
PRESSURE DROP**

