

**REXI**

DIRECT ACTING PRESSURE REGULATOR

**geca**

**Tecno  
Control**



# WE'RE A RESILIENT GROUP

Being a Group means having the culture, expertise, service and products the Customer needs to succeed.

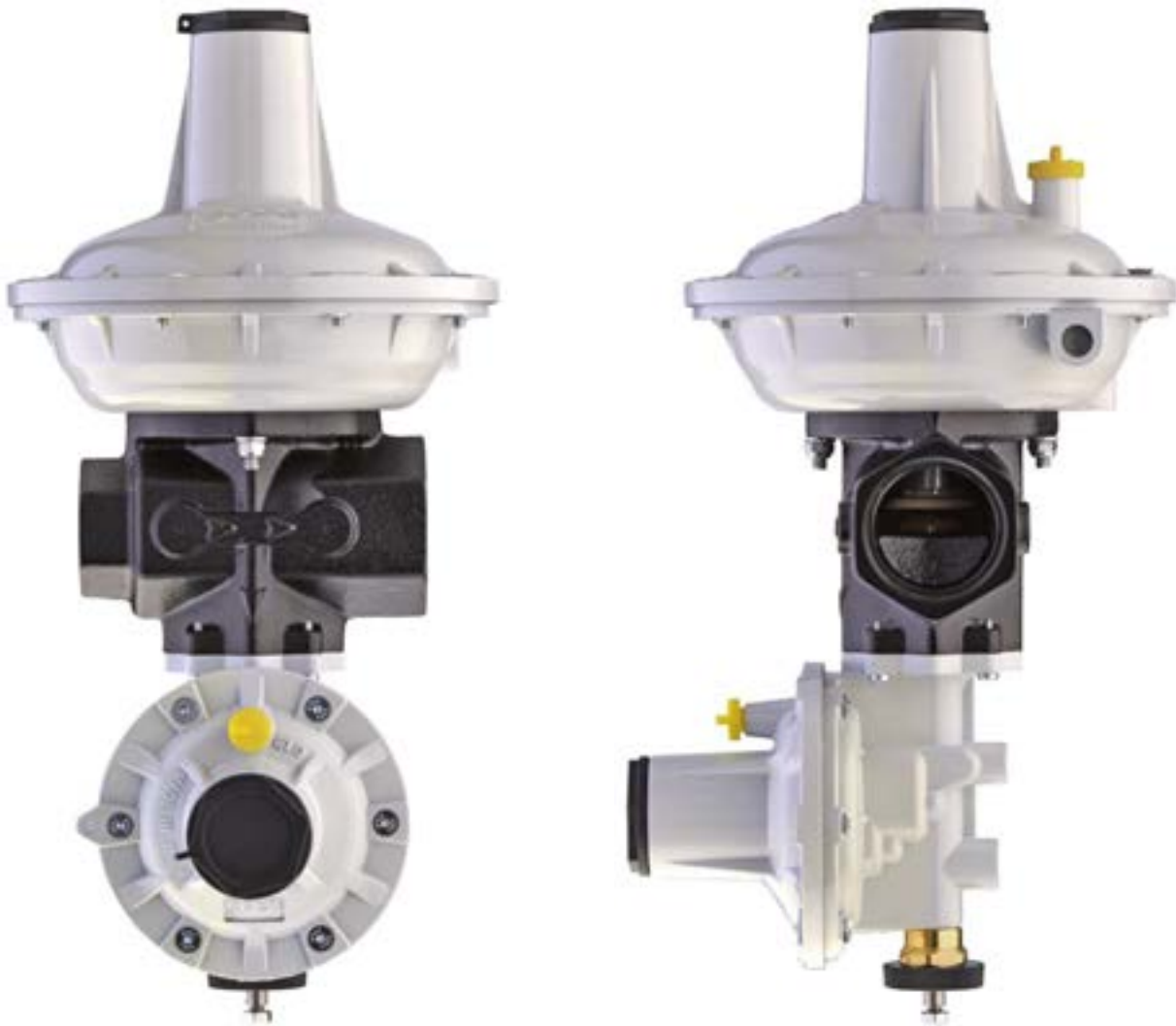
**CPF Industriale, Geca and Tecnocontrol** have been created to meet market demand in real time, to show credibility and structural strength.

It's true. We're a resilient group because in over 70 years we have been able to understand and bring technology, products and customer service in line with the real needs of our Customers, who have changed incredibly over time. We have placed extreme attention on listening, analysing and studying without interfering with the final goal: **Uncompromised Quality.**

**Our Group is currently able to design, manufacture and sell** in the OEM, Industrial Gas Companies, Plumbing and Heating, HVAC, Gas distribution, Gas Safety and Oil & Gas sectors and operates in 91 countries worldwide.



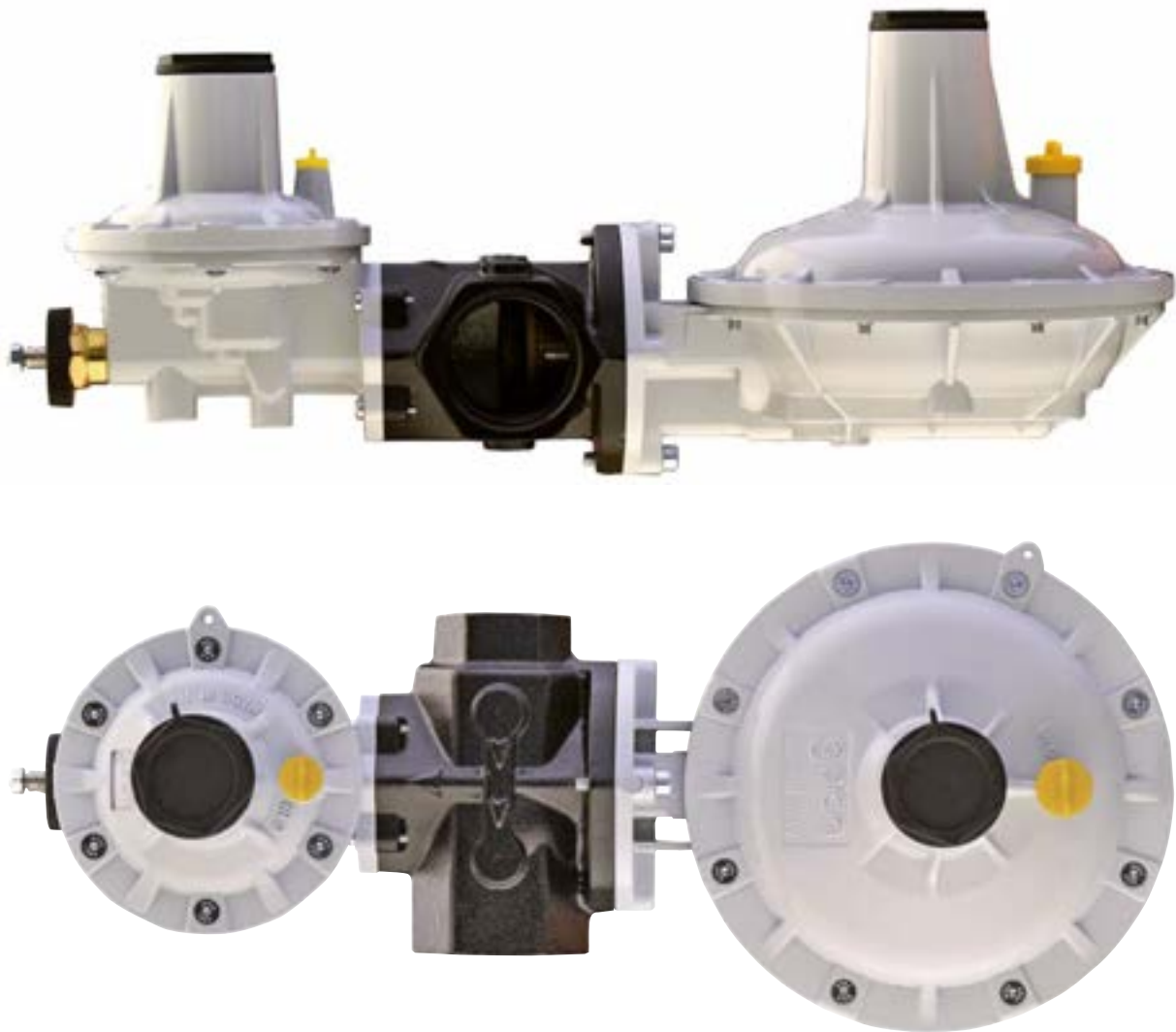
# REXI DIRECT ACTING PRESSURE REGULATOR Pmax 20 bar



## HORIZONTAL VERSION / Head of Regulator

The **REXI Series** is a direct-acting pressure regulator with balanced plug, for low, medium and high pressures. Suitable for non-corrosive gases; thanks to the concept of a balanced plug, you can achieve a high flow rate coefficient, highly accurate (even at maximum flow rates), a lock up zone and relatively low lock up pressure, no internal leakage at zero flow rate and reduced response times.

The constancy of the regulated pressure and its accuracy, even with significant changes in the upstream pressure and/ or flow rate, make the **REXI Series** regulator especially suitable for power distribution networks in civil and industrial plants. The basic version of the **REXI Series** regulator is made according to European Standard **EN 334**, as a **Fail to Open regulator**.



## VERTICAL VERSION / Head of Regulator

The shut-off device can be calibrated for pressure increase, **Over Pressure Shut-Off (OPSO)** and/or for pressure decrease, **Under Pressure Shut-Off (UPS0)**. The two intervention modes can be calibrated independently by dedicated calibration springs: one spring for the maximum pressure intervention and the second spring for the minimum pressure intervention. **REXI series can be supplied also without Slam Shut valve.**

The **REXI Series** can be equipped with an incorporated relief valve that discharges the gas into the atmosphere when the regulator outlet pressure exceeds the set value. When the outlet pressure returns to below the set value, the relief valve closes again.

The **MONITOR** is a safety accessory that performs the functions of the service regulator when the main regulator fails. This is a regulator valve that is usually fully open during normal operation of the service regulator. The **MONITOR** is an emergency pressure regulator that is usually upstream, in the direction of the gas flow, of another pressure regulator that performs the function of a **SERVICE** regulator.

# OPERATING FEATURES

<b>Maximum inlet pressure (Pu)</b>	10 bar for LP version 20 bar for MP and HP version
<b>Outlet pressure (Pd)</b>	20 mbar to 3 bar * ( <i>refer to the table</i> )
<b>Slam Shut valve</b>	OPSO 30 mbar to 6,5 bar * ( <i>refer to the table</i> ) UPSO 6 mbar to 3,5 bar * ( <i>refer to the table</i> )
<b>Relief Valve</b>	Pd + 15 mbar to 3000 mbar * ( <i>refer to the table</i> )
<b>AC Accuracy class</b>	up to 10
<b>SG Lock up class</b>	up to 20 ( <i>depending on version and set point</i> )
<b>Minimum operating differential pressure (<math>\Delta p_{min1}</math>)</b>	100 mbar
<b>Working Temperature</b>	- 20°C to + 60°C
<b>Dimension</b>	1" - 1" / 1" - 1 1/2" / 1 1/2" - 1 1/2" / 2" - 2" - Threaded DN40 - DN40 / DN50 - DN50 - Flanged
<b>Body</b>	Cast Iron GJS 400-18 Aluminum EN46100 Painted
<b>Diaphragms</b>	Reinforced NBR
<b>O-rings</b>	Nitrile rubber

# MAIN FEATURES



CODE	DESCRIPTION
<b>Body 1" - 1" Threaded - HORIZONTAL VERSION</b>	
<b>RG025 - LP - RV - H</b>	Gas Regulator 1" - 1" - Pmax 10 bar - LP Version - Outlet Range 15 - 110 mbar - Relief 15 - 110 mbar
<b>RG025 - MP - RV - H</b>	Gas Regulator 1" - 1" - Pmax 20 bar - MP Version - Outlet Range 70 - 300 mbar - Relief 80 - 1100 mbar
<b>RG025 - HP - RV - H</b>	Gas Regulator 1" - 1" - Pmax 20 bar - HP Version - Outlet Range 100 - 3000 mbar - Relief 80 - 3000 mbar
<b>Body 1" - 1 1/2" Threaded - HORIZONTAL VERSION</b>	
<b>RG02540 - LP - RV - H</b>	Gas Regulator 1" - 1 1/2" - Pmax 10 bar - LP Version - Outlet Range 15 - 110 mbar - Relief 15 - 110 mbar
<b>RG02540 - MP - RV - H</b>	Gas Regulator 1" - 1 1/2" - Pmax 20 bar - MP Version - Outlet Range 70 - 300 mbar - Relief 80 - 1100 mbar
<b>RG02540 - HP - RV - H</b>	Gas Regulator 1" - 1 1/2" - Pmax 20 bar - HP Version - Outlet Range 100 - 3000 mbar - Relief 80 - 3000 mbar
<b>Body 1 1/2" - 1 1/2" Threaded - HORIZONTAL VERSION</b>	
<b>RG040 - LP - RV - H</b>	Gas Regulator 1 1/2" - 1 1/2" - Pmax 10 bar - LP Version - Outlet Range 15 - 110 mbar - Relief 15 - 110 mbar
<b>RG040 - MP - RV - H</b>	Gas Regulator 1 1/2" - 1 1/2" - Pmax 20 bar - MP Version - Outlet Range 70 - 300 mbar - Relief 80 - 1100 mbar
<b>RG040 - HP - RV - H</b>	Gas Regulator 1 1/2" - 1 1/2" - Pmax 20 bar - HP Version - Outlet Range 100 - 3000 mbar - Relief 80 - 3000 mbar
<b>Body 2" - 2" Threaded - HORIZONTAL VERSION</b>	
<b>RG050 - LP - RV - H</b>	Gas Regulator 2" - 2" - Pmax 10 bar - LP Version - Outlet Range 15 - 110 mbar - Relief 15 - 110 mbar
<b>RG050 - MP - RV - H</b>	Gas Regulator 2" - 2" - Pmax 20 bar - MP Version - Outlet Range 70 - 300 mbar - Relief 80 - 1100 mbar
<b>RG050 - HP - RV - H</b>	Gas Regulator 2" - 2" - Pmax 20 bar - HP Version - Outlet Range 100 - 3000 mbar - Relief 80 - 3000 mbar
<b>Body DN40 - DN40 Flanged - HORIZONTAL VERSION</b>	
<b>RGD40 - LP - RV - H</b>	Gas Regulator DN40 - DN40 - Pmax 10 bar - LP Version - Outlet Range 15 - 110 mbar - Relief 15 - 110 mbar
<b>RGD40 - MP - RV - H</b>	Gas Regulator DN40 - DN40 - Pmax 20 bar - MP Version - Outlet Range 70 - 300 mbar - Relief 80 - 1100 mbar
<b>RGD40 - HP - RV - H</b>	Gas Regulator DN40 - DN40 - Pmax 20 bar - HP Version - Outlet Range 100 - 3000 mbar - Relief 80 - 3000 mbar
<b>Body DN50 - DN50 Flanged - HORIZONTAL VERSION</b>	
<b>RGD50 - LP - RV - H</b>	Gas Regulator DN50 - DN50 - Pmax 10 bar - LP Version - Outlet Range 15 - 110 mbar - Relief 15 - 110 mbar
<b>RGD50 - MP - RV - H</b>	Gas Regulator DN50 - DN50 - Pmax 20 bar - MP Version - Outlet Range 70 - 300 mbar - Relief 80 - 1100 mbar
<b>RGD50 - HP - RV - H</b>	Gas Regulator DN50 - DN50 - Pmax 20 bar - HP Version - Outlet Range 100 - 3000 mbar - Relief 80 - 3000 mbar
<b>Body 1" - 1" Threaded - HORIZONTAL VERSION - Without Relief Valve</b>	
<b>RG025 - LP - H</b>	Gas Regulator 1" - 1" - Pmax 10 bar - LP Version - Outlet Range 15 - 110 mbar
<b>RG025 - MP - H</b>	Gas Regulator 1" - 1" - Pmax 20 bar - MP Version - Outlet Range 70 - 300 mbar
<b>RG025 - HP - H</b>	Gas Regulator 1" - 1" - Pmax 20 bar - HP Version - Outlet Range 100 - 3000 mbar
<b>Body 1" - 1 1/2" Threaded - HORIZONTAL VERSION - Without Relief Valve</b>	
<b>RG02540 - LP - H</b>	Gas Regulator 1" - 1 1/2" - Pmax 10 bar - LP Version - Outlet Range 15 - 110 mbar
<b>RG02540 - MP - H</b>	Gas Regulator 1" - 1 1/2" - Pmax 20 bar - MP Version - Outlet Range 70 - 300 mbar
<b>RG02540 - HP - H</b>	Gas Regulator 1" - 1 1/2" - Pmax 20 bar - HP Version - Outlet Range 100 - 3000 mbar
<b>Body 1 1/2" - 1 1/2" Threaded - HORIZONTAL VERSION - Without Relief Valve</b>	
<b>RG040 - LP - H</b>	Gas Regulator 1 1/2" - 1 1/2" - Pmax 10 bar - LP Version - Outlet Range 15 - 110 mbar
<b>RG040 - MP - H</b>	Gas Regulator 1 1/2" - 1 1/2" - Pmax 20 bar - MP Version - Outlet Range 70 - 300 mbar
<b>RG040 - HP - H</b>	Gas Regulator 1 1/2" - 1 1/2" - Pmax 20 bar - HP Version - Outlet Range 100 - 3000 mbar

Range mentioned in above description is the full range. It is possible to get with different springs. \ Please select the right spring from the table in the product catalogue.

**For monitor version, put M before the product code.**



CODE	DESCRIPTION
<b>Body 2" - 2" Threaded - HORIZONTAL VERSION - Without Relief Valve</b>	
<b>RG050 - LP - H</b>	Gas Regulator 2" - 2" - Pmax 10 bar - LP Version - Outlet Range 15 - 110 mbar
<b>RG050 - MP - H</b>	Gas Regulator 2" - 2" - Pmax 20 bar - MP Version - Outlet Range 70 - 300 mbar
<b>RG050 - HP - H</b>	Gas Regulator 2" - 2" - Pmax 20 bar - HP Version - Outlet Range 100 - 3000 mbar
<b>Body DN40 - DN40 Flanged - HORIZONTAL VERSION - Without Relief Valve</b>	
<b>RGD40 - LP - H</b>	Gas Regulator DN40 - DN40 - Pmax 10 bar - LP Version - Outlet Range 15 - 110 mbar
<b>RGD40 - MP - H</b>	Gas Regulator DN40 - DN40 - Pmax 20 bar - MP Version - Outlet Range 70 - 300 mbar
<b>RGD40 - HP - H</b>	Gas Regulator DN40 - DN40 - Pmax 20 bar - HP Version - Outlet Range 100 - 3000 mbar
<b>Body DN50 - DN50 Flanged - HORIZONTAL VERSION - Without Relief Valve</b>	
<b>RGD50 - LP - H</b>	Gas Regulator DN50 - DN50 - Pmax 10 bar - LP Version - Outlet Range 15 - 110 mbar
<b>RGD50 - MP - H</b>	Gas Regulator DN50 - DN50 - Pmax 20 bar - MP Version - Outlet Range 70 - 300 mbar
<b>RGD50 - HP - H</b>	Gas Regulator DN50 - DN50 - Pmax 20 bar - HP Version - Outlet Range 100 - 3000 mbar
<b>Body 1" - 1" Threaded - VERTICAL VERSION</b>	
<b>RG025 - LP - RV - V</b>	Gas Regulator 1" - 1" - Pmax 10 bar - LP Version - Outlet Range 15 - 110 mbar - Relief 15 - 110 mbar
<b>RG025 - MP - RV - V</b>	Gas Regulator 1" - 1" - Pmax 20 bar - MP Version - Outlet Range 70 - 300 mbar - Relief 80 - 1100 mbar
<b>RG025 - HP - RV - V</b>	Gas Regulator 1" - 1" - Pmax 20 bar - HP Version - Outlet Range 100 - 3000 mbar - Relief 80 - 3000 mbar
<b>Body 1" - 1 1/2" Threaded - VERTICAL VERSION</b>	
<b>RG02540 - LP - RV - V</b>	Gas Regulator 1" - 1 1/2" - Pmax 10 bar - LP Version - Outlet Range 15 - 110 mbar - Relief 15 - 110 mbar
<b>RG02540 - MP - RV - V</b>	Gas Regulator 1" - 1 1/2" - Pmax 20 bar - MP Version - Outlet Range 70 - 300 mbar - Relief 80 - 1100 mbar
<b>RG02540 - HP - RV - V</b>	Gas Regulator 1" - 1 1/2" - Pmax 20 bar - HP Version - Outlet Range 100 - 3000 mbar - Relief 80 - 3000 mbar
<b>Body 1 1/2" - 1 1/2" Threaded - VERTICAL VERSION</b>	
<b>RG040 - LP - RV - V</b>	Gas Regulator 1 1/2" - 1 1/2" - Pmax 10 bar - LP Version - Outlet Range 15 - 110 mbar - Relief 15 - 110 mbar
<b>RG040 - MP - RV - V</b>	Gas Regulator 1 1/2" - 1 1/2" - Pmax 20 bar - MP Version - Outlet Range 70 - 300 mbar - Relief 80 - 1100 mbar
<b>RG040 - HP - RV - V</b>	Gas Regulator 1 1/2" - 1 1/2" - Pmax 20 bar - HP Version - Outlet Range 100 - 3000 mbar - Relief 80 - 3000 mbar
<b>Body 2" - 2" Threaded - VERTICAL VERSION</b>	
<b>RG050 - LP - RV - V</b>	Gas Regulator 2" - 2" - Pmax 10 bar - LP Version - Outlet Range 15 - 110 mbar - Relief 15 - 110 mbar
<b>RG050 - MP - RV - V</b>	Gas Regulator 2" - 2" - Pmax 20 bar - MP Version - Outlet Range 70 - 300 mbar - Relief 80 - 1100 mbar
<b>RG050 - HP - RV - V</b>	Gas Regulator 2" - 2" - Pmax 20 bar - HP Version - Outlet Range 100 - 3000 mbar - Relief 80 - 3000 mbar
<b>Body DN40 - DN40 Flanged - VERTICAL VERSION</b>	
<b>RGD40 - LP - RV - V</b>	Gas Regulator DN40 - DN40 - Pmax 10 bar - LP Version - Outlet Range 15 - 110 mbar - Relief 15 - 110 mbar
<b>RGD40 - MP - RV - V</b>	Gas Regulator DN40 - DN40 - Pmax 20 bar - MP Version - Outlet Range 70 - 300 mbar - Relief 80 - 1100 mbar
<b>RGD40 - HP - RV - V</b>	Gas Regulator DN40 - DN40 - Pmax 20 bar - HP Version - Outlet Range 100 - 3000 mbar - Relief 80 - 3000 mbar
<b>Body DN50 - DN50 Flanged - VERTICAL VERSION</b>	
<b>RGD50 - LP - RV - V</b>	Gas Regulator DN50 - DN50 - Pmax 10 bar - LP Version - Outlet Range 15 - 110 mbar - Relief 15 - 110 mbar
<b>RGD50 - MP - RV - V</b>	Gas Regulator DN50 - DN50 - Pmax 20 bar - MP Version - Outlet Range 70 - 300 mbar - Relief 80 - 1100 mbar
<b>RGD50 - HP - RV - V</b>	Gas Regulator DN50 - DN50 - Pmax 20 bar - HP Version - Outlet Range 100 - 3000 mbar - Relief 80 - 3000 mbar

Range mentioned in above description is the full range. It is possible to get with different springs. \ Please select the right spring from the table in the product catalogue.

**For monitor version, put M before the product code.**

CODE	DESCRIPTION
<b>Body 1" - 1" Threaded - VERTICAL VERSION - Without Relief Valve</b>	
<b>RG025 - LP - V</b>	Gas Regulator 1" - 1" - Pmax 10 bar - LP Version - Outlet Range 15 - 110 mbar
<b>RG025 - MP - V</b>	Gas Regulator 1" - 1" - Pmax 20 bar - MP Version - Outlet Range 70 - 300 mbar
<b>RG025 - HP - V</b>	Gas Regulator 1" - 1" - Pmax 20 bar - HP Version - Outlet Range 100 - 3000 mbar
<b>Body 1" - 1 1/2" Threaded - VERTICAL VERSION - Without Relief Valve</b>	
<b>RG02540 - LP - V</b>	Gas Regulator 1" - 1 1/2" - Pmax 10 bar - LP Version - Outlet Range 15 - 110 mbar
<b>RG02540 - MP - V</b>	Gas Regulator 1" - 1 1/2" - Pmax 20 bar - MP Version - Outlet Range 70 - 300 mbar
<b>RG02540 - HP - V</b>	Gas Regulator 1" - 1 1/2" - Pmax 20 bar - HP Version - Outlet Range 100 - 3000 mbar
<b>Body 1 1/2" - 1 1/2" Threaded - VERTICAL VERSION - Without Relief Valve</b>	
<b>RG040 - LP - V</b>	Gas Regulator 1 1/2" - 1 1/2" - Pmax 10 bar - LP Version - Outlet Range 15 - 110 mbar
<b>RG040 - MP - V</b>	Gas Regulator 1 1/2" - 1 1/2" - Pmax 20 bar - MP Version - Outlet Range 70 - 300 mbar
<b>RG040 - HP - V</b>	Gas Regulator 1 1/2" - 1 1/2" - Pmax 20 bar - HP Version - Outlet Range 100 - 3000 mbar
<b>Body 2" - 2" Threaded - VERTICAL VERSION - Without Relief Valve</b>	
<b>RG050 - LP - V</b>	Gas Regulator 2" - 2" - Pmax 10 bar - LP Version - Outlet Range 15 - 110 mbar
<b>RG050 - MP - V</b>	Gas Regulator 2" - 2" - Pmax 20 bar - MP Version - Outlet Range 70 - 300 mbar
<b>RG050 - HP - V</b>	Gas Regulator 2" - 2" - Pmax 20 bar - HP Version - Outlet Range 100 - 3000 mbar
<b>Body DN40 - DN40 Flanged - VERTICAL VERSION - Without Relief Valve</b>	
<b>RGD40 - LP - V</b>	Gas Regulator DN40 - DN40 - Pmax 10 bar - LP Version - Outlet Range 15 - 110 mbar
<b>RGD40 - MP - V</b>	Gas Regulator DN40 - DN40 - Pmax 20 bar - MP Version - Outlet Range 70 - 300 mbar
<b>RGD40 - HP - V</b>	Gas Regulator DN40 - DN40 - Pmax 20 bar - HP Version - Outlet Range 100 - 3000 mbar
<b>Body DN50 - DN50 Flanged - VERTICAL VERSION - Without Relief Valve</b>	
<b>RGD50 - LP - V</b>	Gas Regulator DN50 - DN50 - Pmax 10 bar - LP Version - Outlet Range 15 - 110 mbar
<b>RGD50 - MP - V</b>	Gas Regulator DN50 - DN50 - Pmax 20 bar - MP Version - Outlet Range 70 - 300 mbar
<b>RGD50 - HP - V</b>	Gas Regulator DN50 - DN50 - Pmax 20 bar - HP Version - Outlet Range 100 - 3000 mbar
<b>Slam Shut Valve for RG Regulator - OPSO/UPS0</b>	
<b>SSV-LP</b>	Slam Shut valve for RG Regulator LP Version - OPSO range 30 - 180 mbar / UPSO range 6 - 60 mbar
<b>SSV-MP</b>	Slam Shut valve for RG Regulator MP Version - OPSO range 50 - 850 mbar / UPSO range 6 - 500 mbar
<b>SSV-HP</b>	Slam Shut valve for RG Regulator HP Version - OPSO range 180 - 5500 mbar / UPSO range 60 - 3500 mbar
<b>Slam Shut Valve for RG Regulator - OPSO</b>	
<b>SSV-LP - OPSO</b>	Slam Shut valve for RG Regulator - LP Version - Only OPSO range 30 - 180 mbar
<b>SSV-MP - OPSO</b>	Slam Shut valve for RG Regulator - MP Version - Only OPSO range 50 - 850 mbar
<b>SSV-HP - OPSO</b>	Slam Shut valve for RG Regulator - HP Version - Only OPSO range 180 - 5500 mbar
<b>Slam Shut Valve for RG Regulator - UPSO</b>	
<b>SSV-LP - UPSO</b>	Slam Shut valve for RG Regulator - LP Version - Only UPSO range 6 - 60 mbar
<b>SSV-MP - UPSO</b>	Slam Shut valve for RG Regulator - MP Version - Only UPSO range 6 - 500 mbar
<b>SSV-HP - UPSO</b>	Slam Shut valve for RG Regulator - HP Version - Only UPSO range 60 - 3500 mbar

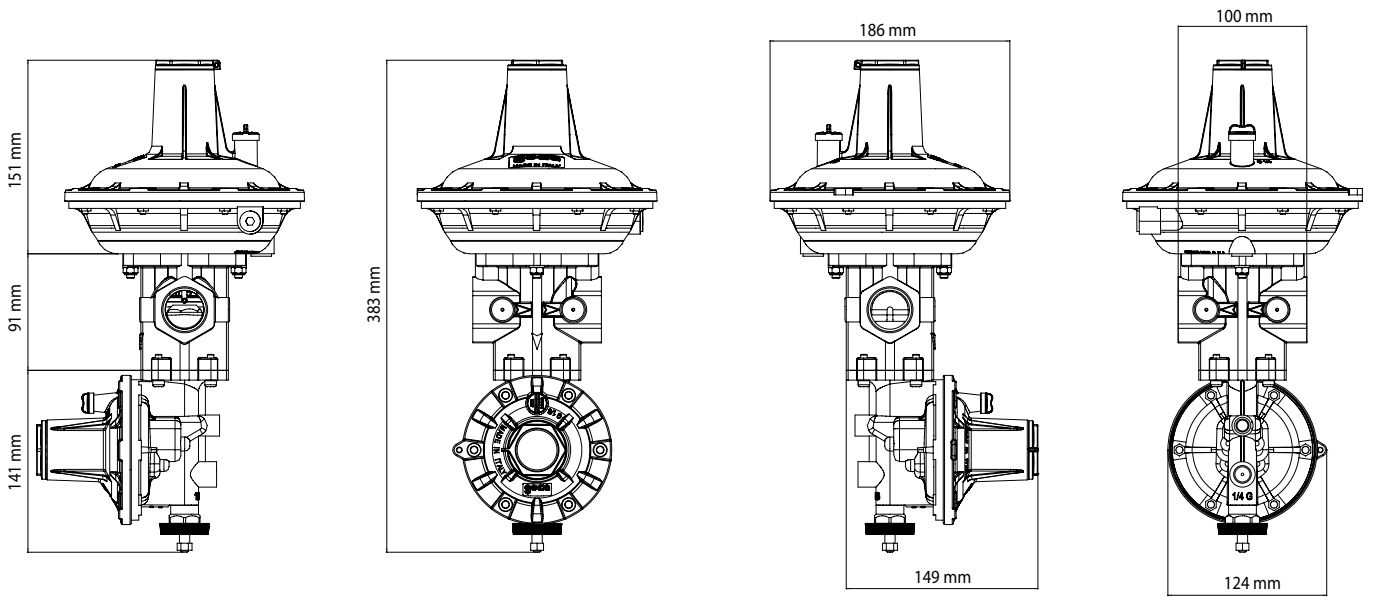
Range mentioned in above description is the full range. It is possible to get with different springs. \ Please select the right spring from the table in the product catalogue.

**For monitor version, put M before the product code.**

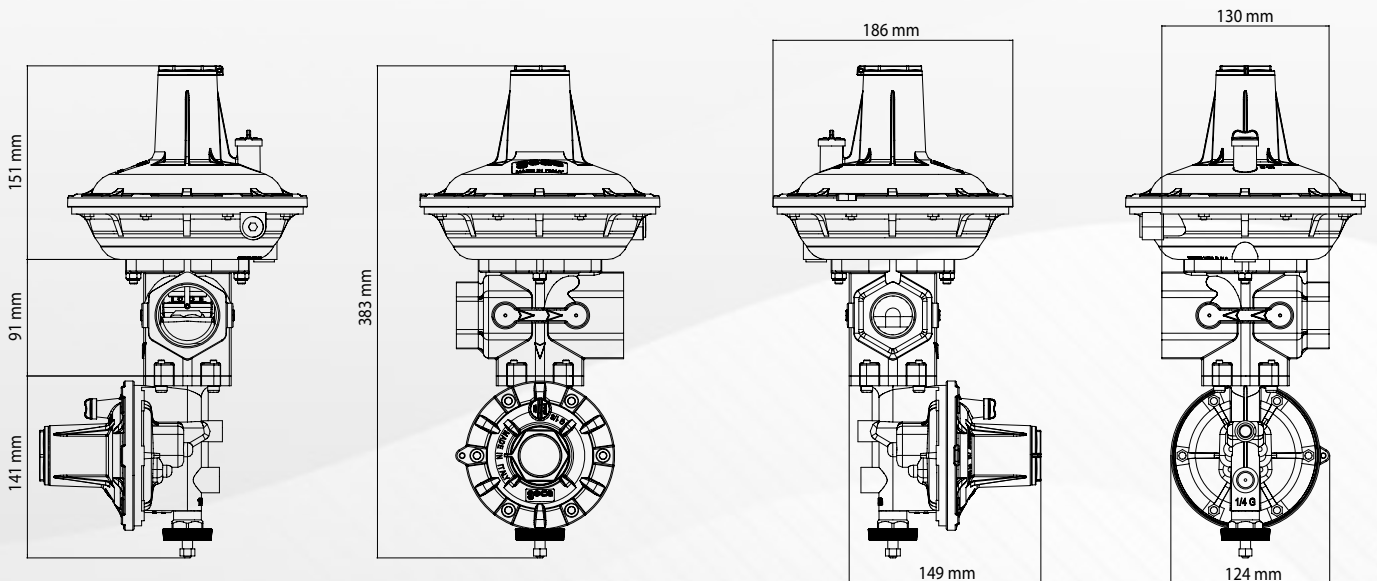
CODE	COLOR	RANGE (mbar)	TYPE OF PRODUCT
<b>OUTLET</b>			
SPW-RG	White	15 - 20	LP
SPBK-RG	Black	20 - 30	LP
SPY-RG	Yellow	30 - 40	LP
SPR-RG	Red	40 - 70	LP
SPLB-RG	Light Blue	70 - 110	LP/MP
SPB-RG	Blue	100 - 180	MP/HP
SPBR-RG	Brown	180 - 300	MP/HP
SPGR-RG	Grey	300 - 700	HP
SPOR-RG	Orange	700 - 1100	HP
SPPU-RG	Purple	1100 - 2000	HP
SPN-RG	Neutral	2000 - 3000	HP
<b>RELIFE VALVE</b>			
SPLB-RV	Light Blue	15 - 40	LP
SPG-RV	Green	40 - 110	LP
SPR-RV	Red	80 - 1100	MP/HP
SPBK-RV	Black	1000 - 3000	HP
<b>OPSO</b>			
SPR-OPSO	Red	30 - 100	LP/MP
SPLB-OPRO	Light Blue	80 - 350	LP/MP
SPG-OPSO	Green	150 - 500	LP/MP
SPG-OPSO	Green	200 - 850	HP
SPB-OPSO	Blue	650 - 1200	HP
SPY-OPSO	Yellow	1000 - 1800	HP
SPPU-OPSO	Purple	1600 - 3000	HP
SPW-OPSO	White	2200 - 4000	HP
SPBK-OPSO	Black	3500 - 6000	HP
<b>UPSO</b>			
SPLB-UPSO	Light Blue	6 - 60	LP/MP
SPR-UPSO	Red	60 - 500	MP/HP
SPBK-UPSO	Black	500 - 1000	HP
SPY-UPSO	Yellow	1000 - 2000	HP
SPB-UPSO	Blue	2000 - 3500	HP

Range mentioned in above description is the full range. It is possible to get with different springs. \ Please select the right spring from the table in the product catalogue.

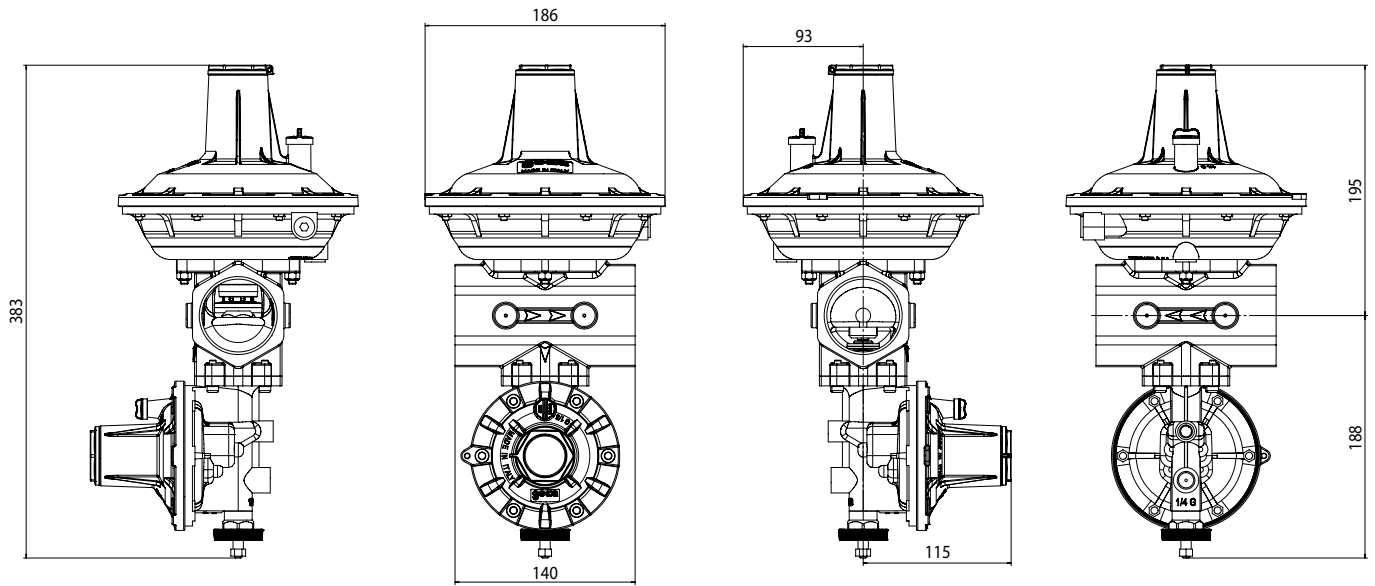
## Gas regulator 1" - 1" / Horizontal Head



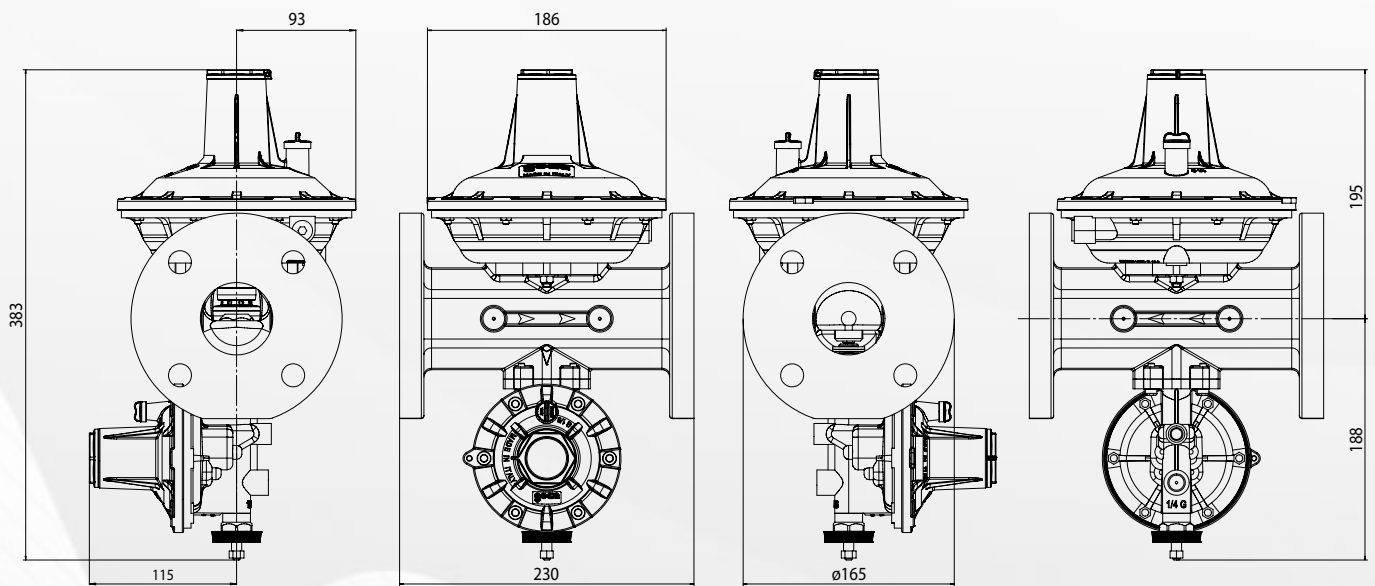
## Gas regulator 1" - 1 1/2" / Horizontal Head



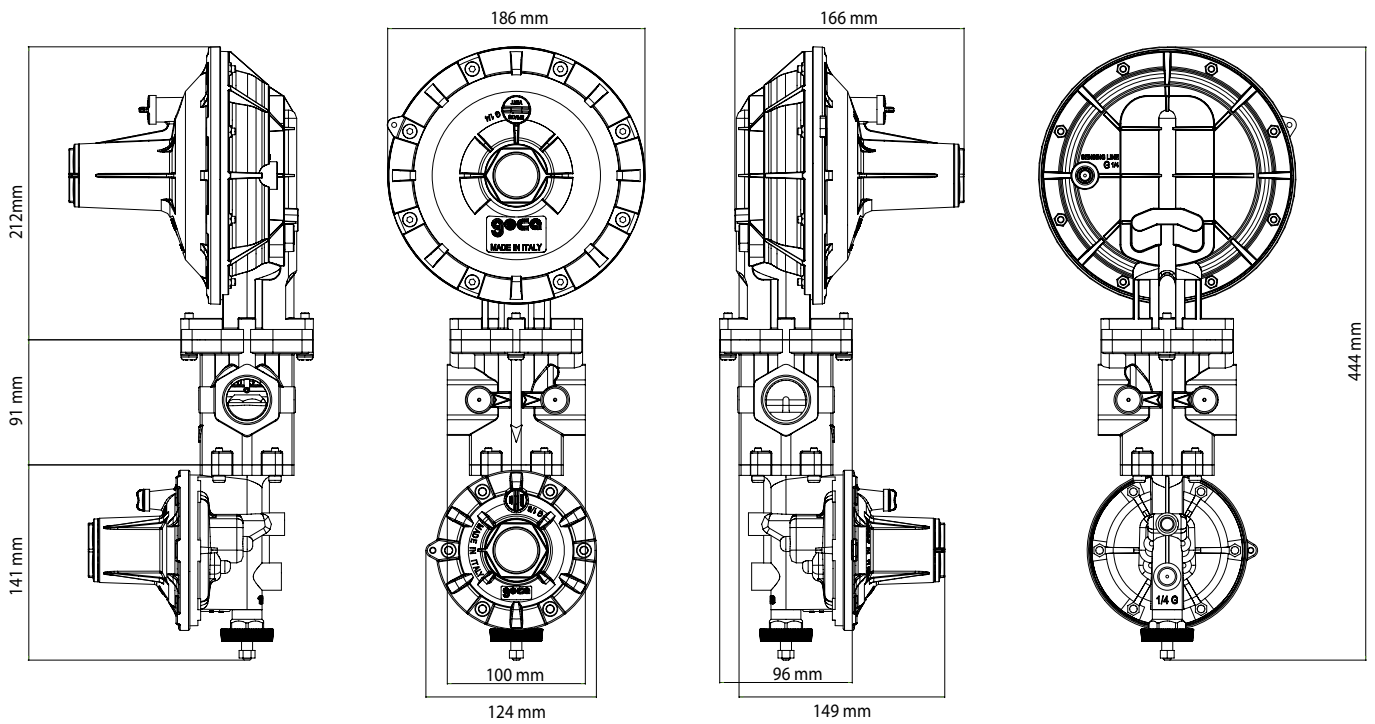
## Gas regulator 1 1/2" - 1 1/2" / 2" - 2" / Horizontal Head



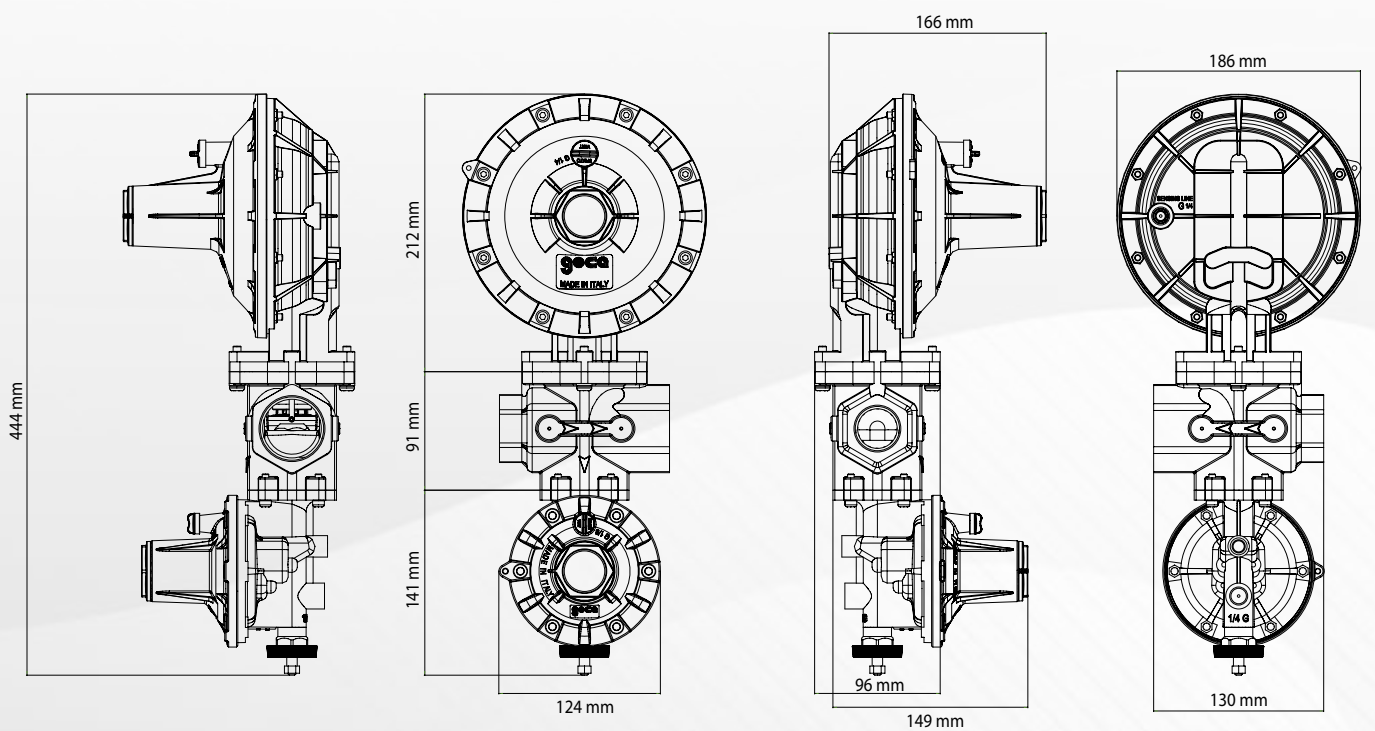
## Gas regulator DN40 - DN40 / DN50 - DN50 / Horizontal Head



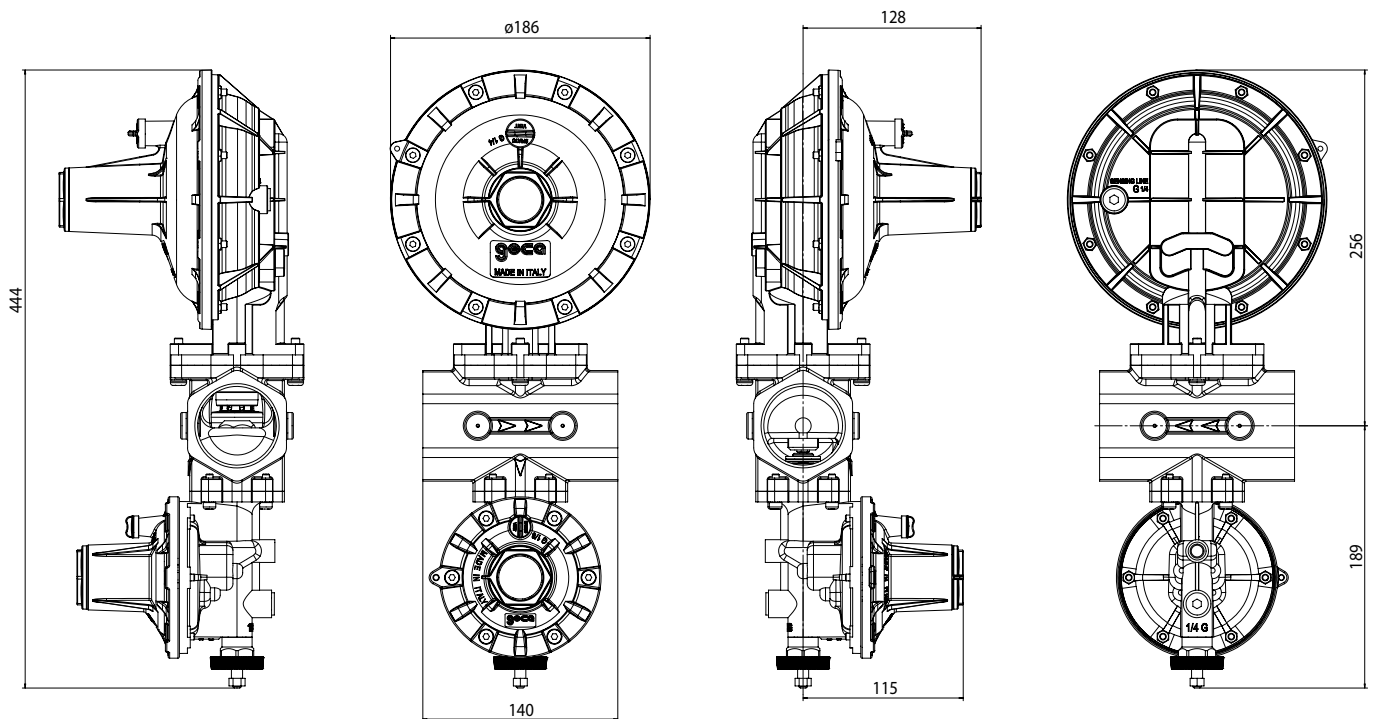
## Gas regulator 1" - 1" / Vertical Head



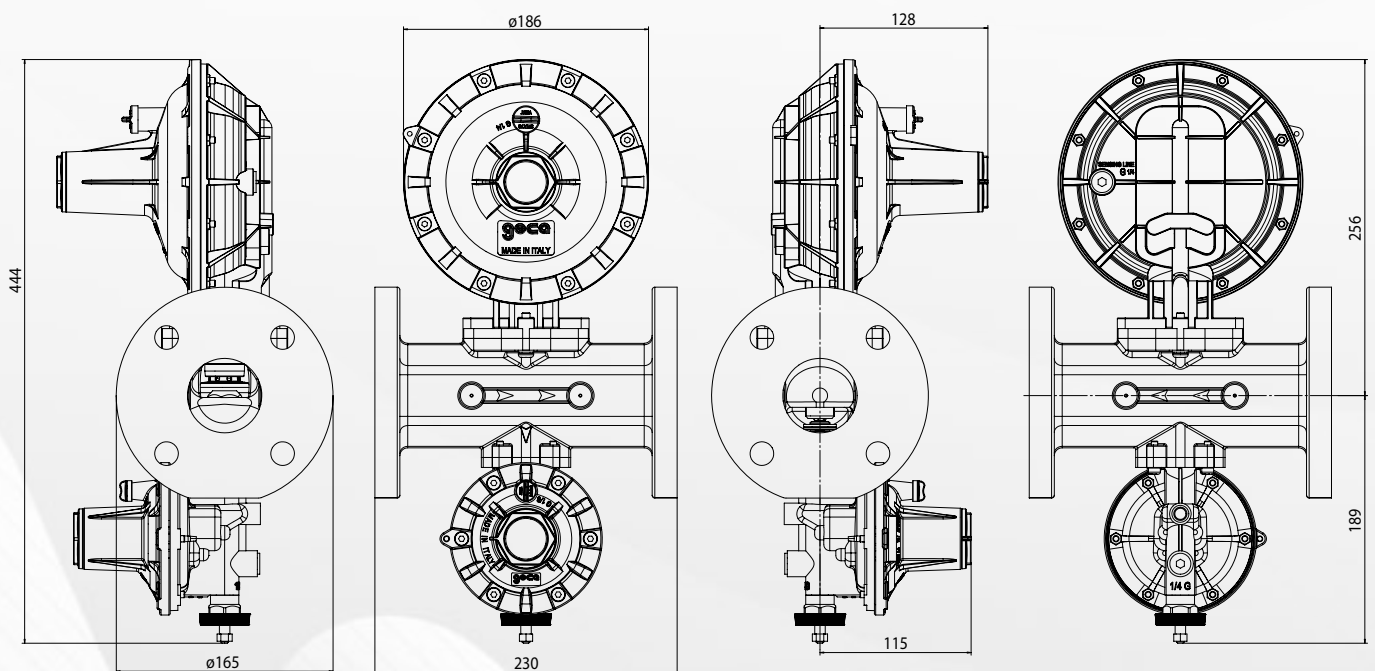
## Gas regulator 1" - 1 1/2" / Vertical Head



## Gas regulator 1 1/2" - 1 1/2" / 2" - 2" / Vertical Head

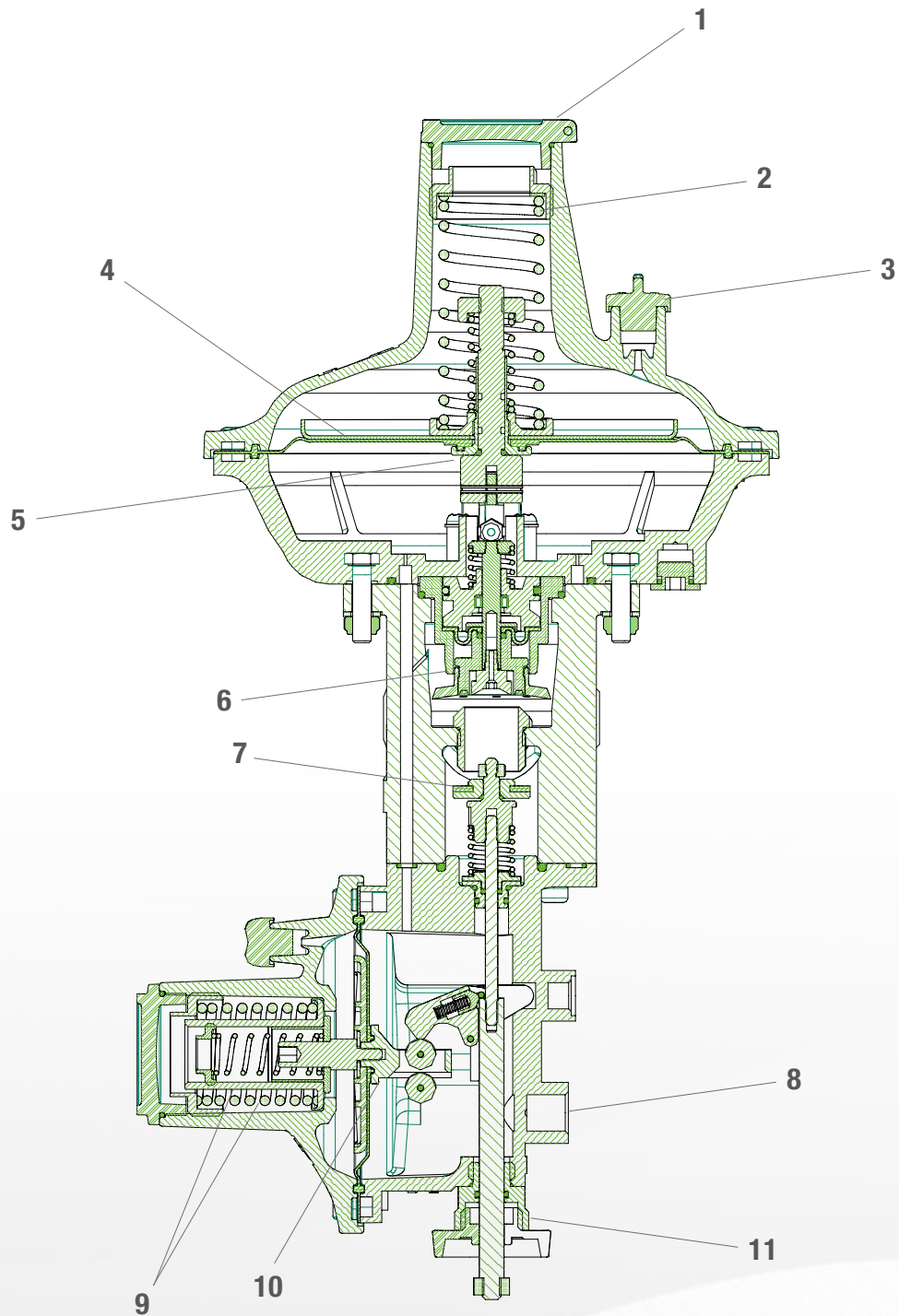


## Gas regulator DN40 - DN40 / DN50 - DN50 / Vertical Head



# TECHNICAL DRAWING

## Gas regulator / Horizontal Head



1. Seal cap

2. Setting spring

3. Vent line

4. Pressure detecting membrane

5. Relief valve

6. Control valve

7. Shutting valve

8. Sensing line

9. Upso/Opso setting springs

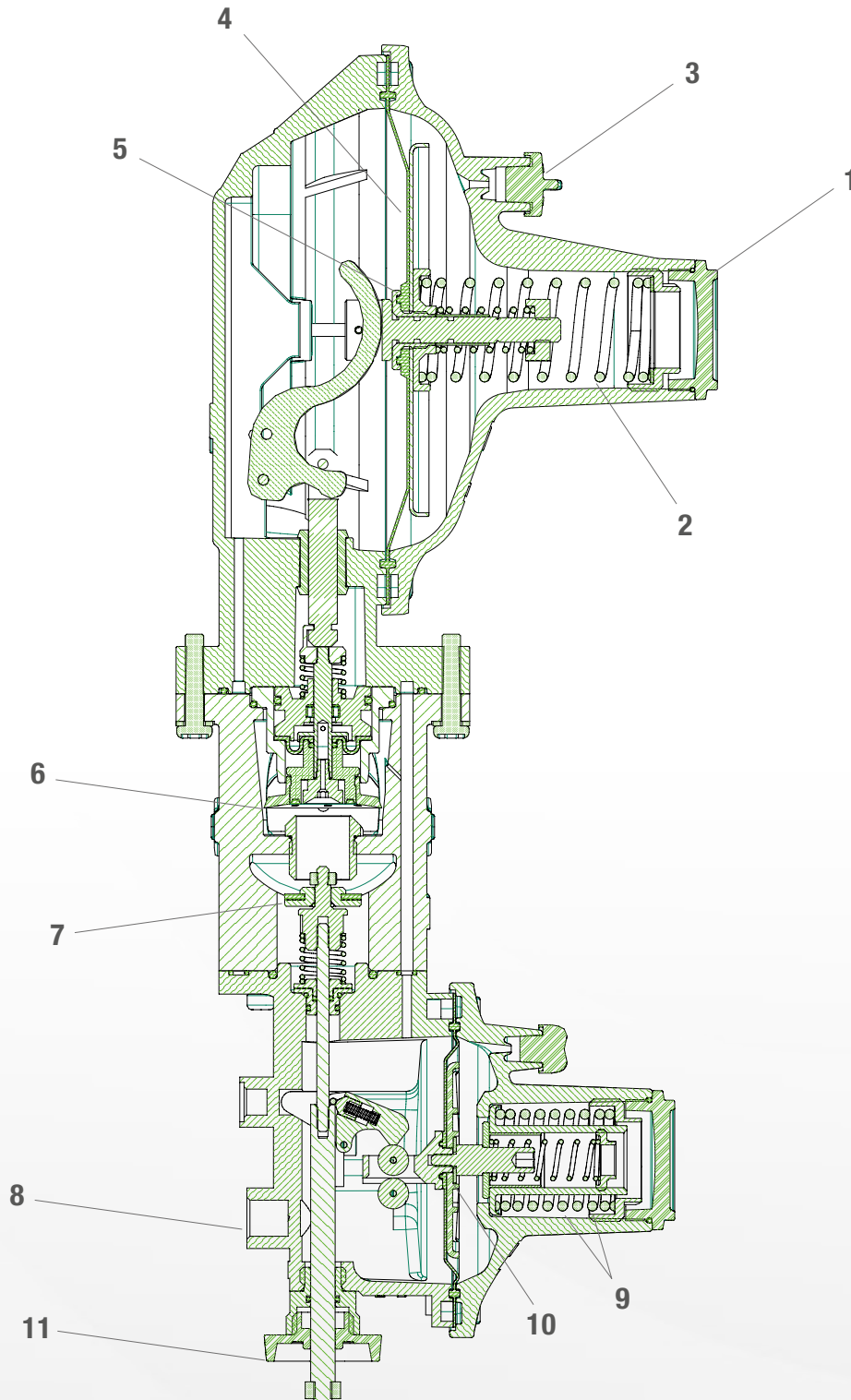
10. Release mechanism

11. Arming handle



# TECHNICAL DRAWING

## Gas regulator / Vertical Head



- |                                |                   |                              |
|--------------------------------|-------------------|------------------------------|
| 1. Seal cap                    | 5. Relief valve   | 9. Upso/Opso setting springs |
| 2. Setting spring              | 6. Control valve  | 10. Release mechanism        |
| 3. Vent line                   | 7. Shutting valve | 11. Arming handle            |
| 4. Pressure detecting membrane | 8. Sensing line   |                              |

# FLOW CAPACITY

**Rexi 1"- 1" / Capacity Nm<sup>3</sup>/h / (Conversion in Kg/h = Multiply by 1,2)**

## LP VERSION RANGE FROM 15 TO 110 MBAR

Inlet Pressure	Outlet Pressure				
	20 mbar	25 mbar	50 mbar	75 mbar	100 mbar
0,5 bar	42	62	71	73	66
1 bar	51	71	100	110	107
2 bar	60	76	114	146	145
2,5 bar	58	76	114	164	162
5 bar	53	76	113	148	148
7,5 bar	53	75	113	148	148
10 bar	53	75	113	147	147

## MP VERSION RANGE FROM 110 TO 300 MBAR

Inlet Pressure	Outlet Pressure				
	100 mbar	150 mbar	200 mbar	250 mbar	300 mbar
0,5 bar	74	73	70	71	70
1 bar	100	110	110	118	121
2 bar	138	167	152	187	200
5 bar	197	210	204	264	282
10 bar	196	210	204	265	284
15 bar	195	209	203	264	283
20 bar	194	209	202	264	282

## HP VERSION RANGE FROM 300 TO 3 BAR

Inlet Pressure	Outlet Pressure				
	500 mbar	1 bar	1,5 bar	2 bar	3 bar
0,5 bar	-	-	-	-	-
1 bar	102	-	-	-	-
2 bar	178	152	136	-	-
5 bar	319	349	353	348	373
10 bar	340	375	381	376	376
15 bar	338	374	379	374	375
20 bar	337	373	378	373	373

• Recommended max flow rate.

• Above capacity are calculated with external sensing line.

# FLOW CAPACITY

**Rexi 1"- 1 1/2" / Capacity Nm<sup>3</sup>/h / (Conversion in Kg/h = Multiply by 1,2)**

## LP VERSION RANGE FROM 15 TO 110 MBAR

Inlet Pressure	Outlet Pressure				
	20 mbar	25 mbar	50 mbar	75 mbar	100 mbar
0,5 bar	118	114	109	105	97
1 bar	176	183	179	178	169
2 bar	286	286	302	310	301
2,5 bar	218	292	307	354	348
5 bar	149	193	377	377	377
7,5 bar	148	192	376	376	376
10 bar	148	192	375	375	375

## MP VERSION RANGE FROM 110 TO 300 MBAR

Inlet Pressure	Outlet Pressure				
	100 mbar	150 mbar	200 mbar	250 mbar	300 mbar
0,5 bar	111	107	89	86	88
1 bar	173	173	153	148	146
2 bar	286	285	275	271	278
5 bar	425	425	425	425	425
10 bar	423	423	423	423	423
15 bar	421	421	421	421	421
20 bar	419	419	419	419	419

## HP VERSION RANGE FROM 300 TO 3 BAR

Inlet Pressure	Outlet Pressure				
	500 mbar	1 bar	1,5 bar	2 bar	3 bar
0,5 bar	-	-	-	-	-
1 bar	128	-	-	-	-
2 bar	242	190	199	-	-
5 bar	472	472	472	426	435
10 bar	469	470	470	470	469
15 bar	467	468	468	468	468
20 bar	465	466	466	466	467

• Recommended max flow rate.

• Above capacity are calculated with external sensing line.

# FLOW CAPACITY

**Rexi 1 1/2"- 1 1/2"** / Capacity Nm<sup>3</sup>/h / (Conversion in Kg/h = Multiply by 1,2)

## LP VERSION RANGE FROM 15 TO 110 MBAR

Inlet Pressure	Outlet Pressure				
	20 mbar	25 mbar	50 mbar	75 mbar	100 mbar
<b>0,5 bar</b>	136	131	125	121	112
<b>1 bar</b>	202	210	206	205	194
<b>2 bar</b>	329	329	347	357	346
<b>2,5 bar</b>	251	336	353	407	400
<b>5 bar</b>	171	222	434	434	434
<b>7,5 bar</b>	170	221	432	432	432
<b>10 bar</b>	170	221	431	431	431

## MP VERSION RANGE FROM 110 TO 300 MBAR

Inlet Pressure	Outlet Pressure				
	100 mbar	150 mbar	200 mbar	250 mbar	300 mbar
<b>0,5 bar</b>	128	123	102	99	101
<b>1 bar</b>	199	199	176	170	168
<b>2 bar</b>	329	328	316	312	320
<b>5 bar</b>	489	489	489	489	489
<b>10 bar</b>	486	486	486	486	486
<b>15 bar</b>	484	484	484	484	484
<b>20 bar</b>	482	482	482	482	482

## HP VERSION RANGE FROM 300 TO 3 BAR

Inlet Pressure	Outlet Pressure				
	500 mbar	1 bar	1,5 bar	2 bar	3 bar
<b>0,5 bar</b>	-	-	-	-	-
<b>1 bar</b>	147	-	-	-	-
<b>2 bar</b>	278	219	229	-	-
<b>5 bar</b>	543	543	543	490	500
<b>10 bar</b>	539	541	541	541	539
<b>15 bar</b>	537	538	538	538	538
<b>20 bar</b>	535	536	536	536	537

• Recommended max flow rate.

• Above capacity are calculated with external sensing line.

# FLOW CAPACITY

**Rexi 2''- 2'' / Capacity Nm<sup>3</sup>/h / (Conversion in Kg/h = Multiply by 1,2)**

## LP VERSION RANGE FROM 15 TO 110 MBAR

Inlet Pressure	Outlet Pressure				
	20 mbar	25 mbar	50 mbar	75 mbar	100 mbar
<b>0,5 bar</b>	149	144	138	133	123
<b>1 bar</b>	223	231	226	225	214
<b>2 bar</b>	362	362	382	392	381
<b>2,5 bar</b>	276	369	388	448	440
<b>5 bar</b>	188	244	477	477	477
<b>7,5 bar</b>	187	243	476	476	476
<b>10 bar</b>	187	243	474	474	474

## MP VERSION RANGE FROM 110 TO 300 MBAR

Inlet Pressure	Outlet Pressure				
	100 mbar	150 mbar	200 mbar	250 mbar	300 mbar
<b>0,5 bar</b>	140	135	113	109	111
<b>1 bar</b>	219	219	194	187	185
<b>2 bar</b>	362	361	348	343	352
<b>5 bar</b>	538	538	538	538	538
<b>10 bar</b>	535	535	535	535	535
<b>15 bar</b>	533	533	533	533	533
<b>20 bar</b>	530	530	530	530	530

## HP VERSION RANGE FROM 300 TO 3 BAR

Inlet Pressure	Outlet Pressure				
	500 mbar	1 bar	1,5 bar	2 bar	3 bar
<b>0,5 bar</b>	-	-	-	-	-
<b>1 bar</b>	147	-	-	-	-
<b>2 bar</b>	278	240	252	-	-
<b>5 bar</b>	543	597	597	539	550
<b>10 bar</b>	539	595	595	595	593
<b>15 bar</b>	537	592	592	592	592
<b>20 bar</b>	535	589	589	589	591

• Recommended max flow rate.

• Above capacity are calculated with external sensing line.

# PRODUCT RANGE OVERVIEW



## GAS GOVERNOR

- Aluminum body
- From 1/2" to DN100
- 500 mbar / 1 bar / 2 bar / 5 bar



## AUTOMATIC GAS VALVE

- Aluminum body
- From 1/2" to DN150
- 360 mbar / 6 bar
- Fast opening / Fast closing
- Slow opening / Fast closing



## GAS FILTER

- Aluminum body
- From 1/2" to DN200
- 6 bar / 10 bar



## GAS SOLENOID VALVE

- Normally open or normally close
- 550 mbar or 6 bar
- From 1/2" to DN200
- 230 Vac – 12 Vdc/Vac – 24 Vdc/Vac / 110 Vac
- Manual / Automatic reset





Our policy of continuous product improvement, the features and data shown are subject to change without notice. The images of the products and accessories are only indicative. Graphic colors of the products may differ from reality.



**geca**

**GECA S.r.l.**  
 Via E. Fermi, 98 | 25064 Gussago (BS) | ITALY  
 Tel. +39 030 3730218  
 Fax +39 030 3730228  
 E-mail: [info@gecasrl.it](mailto:info@gecasrl.it)  
[gecasrl.it](http://gecasrl.it)

**Tecnocontrol**

**Tecnocontrol S.r.l.**  
 Via Miglioli, 47 | 20054 Segrate (MI) | ITALY  
 Tel. +39 02 26922890  
 Fax +39 02 2133734  
 E-mail: [info@tecnoccontrol.it](mailto:info@tecnoccontrol.it)  
[tecnoccontrol.it](http://tecnoccontrol.it)

**CPF**  
INDUSTRIALE

**CPF Industriale S.r.l.**  
 Via E. Fermi, 98 | 25064 Gussago (BS) | ITALY  
 Tel. +39 030 310461  
 Fax +39 030 310465  
 E-mail: [info@cpfindustriale.it](mailto:info@cpfindustriale.it)  
[cpfindustriale.it](http://cpfindustriale.it)

**Marchi:**

**FRG**  
[fagonline.com](http://fagonline.com)

**YUKON**  
[yukon-air-quality.com](http://yukon-air-quality.com)